



# ACCESSORIES

BSC  
BSC-F  
BYH  
BASP  
BDH

BDEB  
BDKS  
BYKS  
EYF  
BYEB



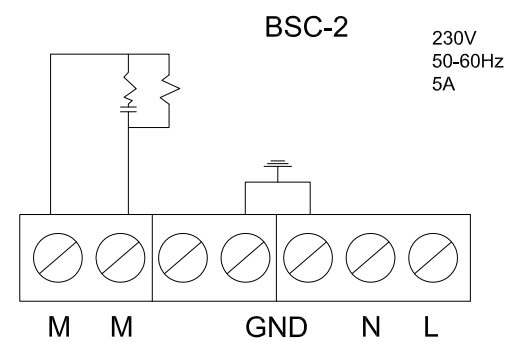
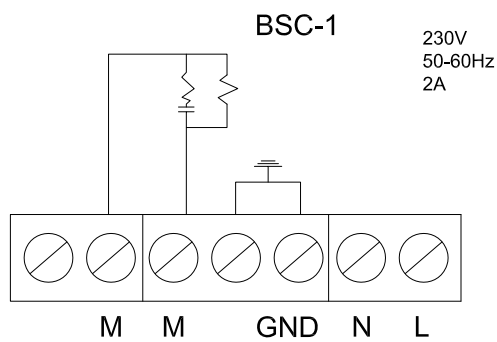
## ACCESSORIES



# BSC

SPEED CONTROL DEVICES  
0.2 - 5 Ampere

BSC can work under min. or max. voltage and controls speed.  
Dimensions: 116-114-50

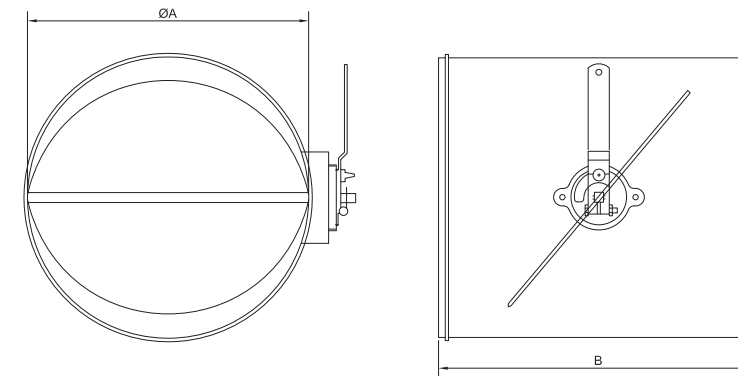


## ACCESSORIES

# BYH

CIRCULAR AIR REGULATORS  
160 - 400

Made of galvanized sheet metal, provides to control air flowing.  
Two typed as manual controlling or automatic controlling.



TYPE	Øa	B
160	160	210
180	180	230
200	203	250
225	229	275
250	254	300
280	280	330
300	305	350
350	356	400
400	406	450

# BSC-F

FREQUENCY INVERTERS  
0.75 - 22 Kw

BSC-F is a speed control device which works with IPM-SPWM which can adjust 3 Phase alternative current motor's speed from 0 to max. with a high speed momentum.



TYPE	POWER	VOLTAGE
	KW	V
BSC-F-10	0.01.....0.75	230
BSC-F-15	0.75.....1.5	230
BSC-F-22	1.5.....2,2	230
BSC-F-30	2.2.....3	230
BSC-F-40	3.....4	380
BSC-F-55	4.....5.5	380
BSC-F-75	5.5.....7.5	380
BSC-F-110	7.5.....11	380
BSC-F-150	11.....15	380
BSC-F-220	15.....22	380

BSC-F is a motor speed control device which is customer oriented for an easy use of changing of motor's max. speed, slowing time, braking time and designed for variable electrical networks.

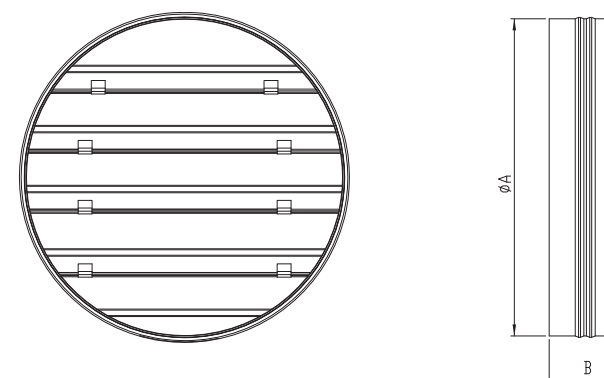
Between 0.75 Kw - 300 Kw

Energy savings at fan applications up to 50%, pump applications 30%. BSC-F has a compact structure and a self - cooling.

# BASP

ROUND METAL SHUTTERS  
160 - 800

Made of galvanized sheet metal. Opens same direction with wind. When air flowing cuts off, stops air inside the system.



TYPE	A	B
BASP 160	60	83
BASP 200	200	83
BASP 250	265	83
BASP 300	315	83
BASP 350	365	83
BASP 400	415	83
BASP 450	465	83
BASP 500	520	83
BASP 600	620	83
BASP 700	725	83
BASP 800	830	83

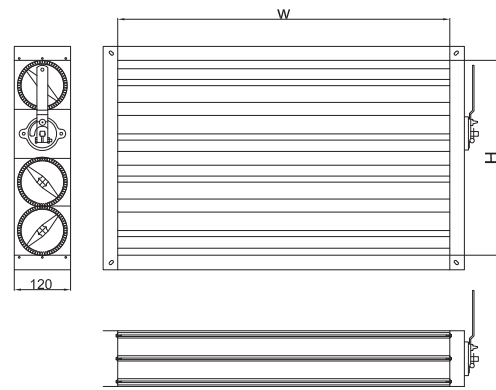
## ACCESSORIES



# BDH

RECTANGULAR AIR REGULATORS  
100/200 - 2000/2000

BDH is manufactured with a type of aluminum extrusion. Provides us to control air flowing. Two types as manual or automatic moving types.



Can be manufactured to suit all types of our fans.

## ACCESSORIES

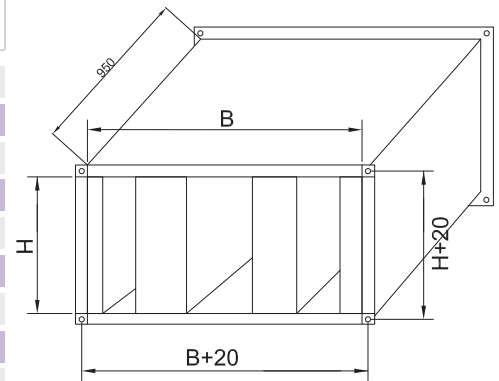
# BDKS

RECTANGULAR DUCT TYPE SILENCERS  
300/150 - 1000/500

BDKS decreases the noise level efficiently at duct fans. Noise decrease level is designed for the capacities asked for.



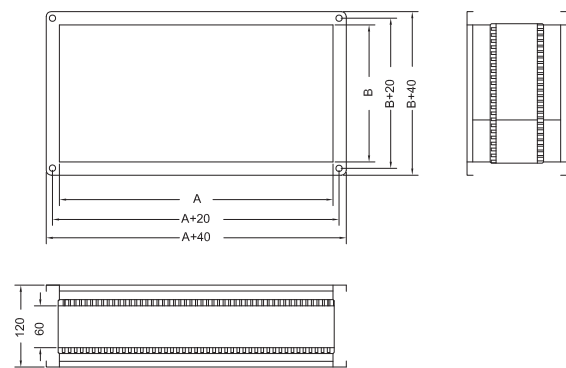
TYPE	B	H	Noise Reduction Value (dB)							
			125	250	500	1k	2k	4k	8k	
BDKS 30-15	300	150	7	15	18	25	25	19	19	
BDKS 40-20	400	200	5	9	15	23	16	12	10	
BDKS 50-25	500	250	10	15	25	25	20	15	12	
BDKS 50-30	500	300	8	15	20	31	17	14	11	
BDKS 60-30	600	300	8	15	20	31	17	14	11	
BDKS 60-35	600	350	7	13	17	18	13	10	8	
BDKS 70-40	700	400	7	11	14	14	10	8	6	
BDKS 80-50	800	500	6	8	10	11	8	6	3	
BDKS 100-50	1000	500	6	8	10	11	8	6	3	



# BDEB

RECTANGULAR FLEXIBLE FLANGES  
300/150 - 1000/500

BDEB is made of aluminum profile and canvas.



TYPE	A	B
BDEB 30-15	300	150
BDEB 40-20	400	200
BDEB 50-25	500	250
BDEB 50-30	500	300
BDEB 60-30	600	300
BDEB 60-35	600	350
BDEB 70-40	700	400
BDEB 80-50	800	500
BDEB 100-50	1000	500

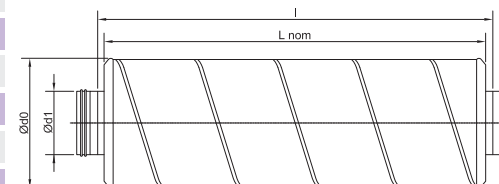
# BYKS

CIRCULAR DUCT TYPE SILENCERS  
100 - 355

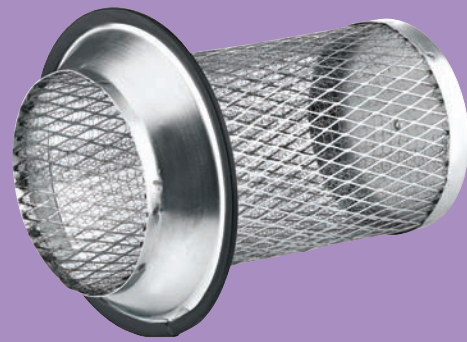
BYKS decreases the noise level efficiently at cylindrical duct fans. Noise decrease level is designed for the capacities asked for. 50 mm isolation.



TYPE	B	H	Noise Reduction Value (dB)								
			125	250	500	1k	2k	4k	8k		
BYKS 100	900	100	200	960	4	15	34	50	50	48	23
BYKS 125	900	125	224	965	4	12	33	45	50	30	17
BYKS 150	900	150	250	965	4	10	28	42	43	20	15
BYKS 160	900	160	260	970	4	10	28	40	41	20	14
BYKS 200	900	200	300	985	4	8	24	32	34	13	10
BYKS 250	900	250	355	900	4	8	20	26	23	10	8
BYKS 315	900	315	415	900	3	7	16	22	12	6	7
BYKS 355	900	355	560	900	3	5	10	13	7	5	6





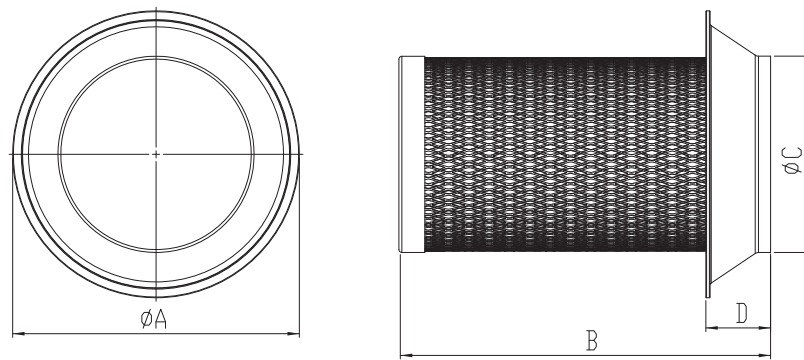


# BYF

## IN LINE DUCT FILTERS 200 - 315

As BDTX fans are used oily or dirty places, BYFs should be added. These filters hold oil to prevent motors to get harmed, impellers to get heavy and unbalanced in time. BYF is designed to be mounted inside duct fans.

TYPE	A	B	C	D	E
BYF 200	135	195	270	335	20
BYF 250	145	245	270	335	20
BYF 315	175	290	280	345	20

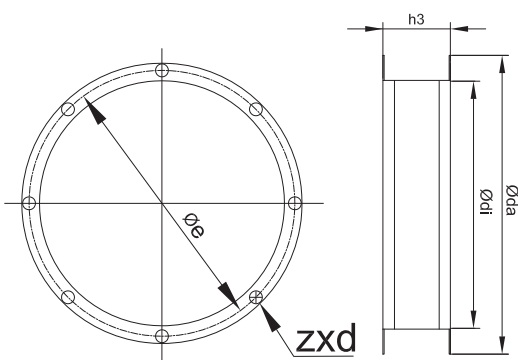


# BYEB

## CIRCULAR FLEXIBLE FLANGES 250 - 1000

BYEB has flexible connections and is made of galvanized sheet material and has a neoprene fabric cover between 2 flanges.

TYPE	øda	øe	ødi	h3	z x d
BYEB 250	316	290	256	155	8 x ø9,5
BYEB 280	345	320	286	155	8 x ø9,5
BYEB 315	382	356	322	155	8 x ø9,5
BYEB 355	421	395	361	155	8 x ø9,5
BYEB 400	475	438	402	155	12 x ø9,5
BYEB 450	524	478	453	155	12 x ø9,5
BYEB 500	577	541	505	155	12 x ø9,5
BYEB 560	652	605	569	155	16 x ø12
BYEB 630	723	674	638	155	16 x ø12
BYEB 710	802	751	712	155	16 x ø12
BYEB 800	890	837	797	155	24 x ø12
BYEB 900	1000	934	894	160	24 x ø12
BYEB 1000	1090	1043	1003	165	24 x ø12



DUCT FANS

ROOF FANS

AXIAL FANS

RADIAL FANS

JET FANS

PLASTIC FANS

VENTILATORS

ACCESSORIES