

**ebm-papst St. Georgen GmbH & Co. KG**

Hermann-Papst-Str. 1
 D-78112 St. Georgen
 Phone +49 (0) 7724 81-0
 Fax +49 (0) 7724 81-1309
 info2@de.ebmpapst.com
 www.ebmpapst.com

Nominal data

| Type | 3312 GM | |
|--------------------------|-------------------|---------|
| Nominal voltage | VDC | 12 |
| Nominal voltage range | VDC | 6 .. 15 |
| Speed | min ⁻¹ | 2600 |
| Power input | W | 1.8 |
| Min. ambient temperature | °C | -20 |
| Max. ambient temperature | °C | 75 |
| Air flow | m ³ /h | 68 |
| Sound power level | B | 4.8 |
| Sound pressure level | dB(A) | 34 |

ml = Max. load · me = Max. efficiency · fa = Running at free air · cs = Customer specs · cu = Customer unit
 Subject to alterations

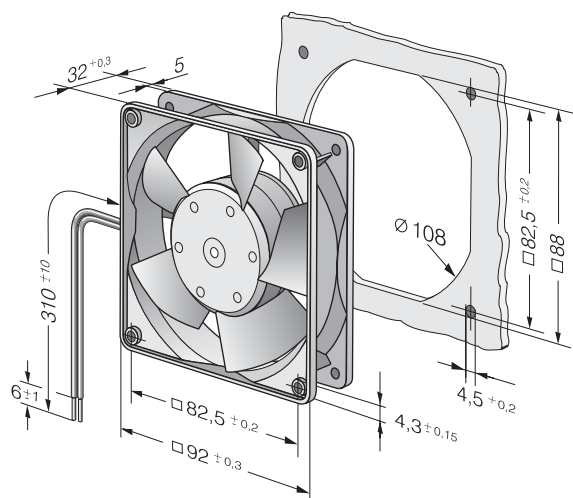


Technical features

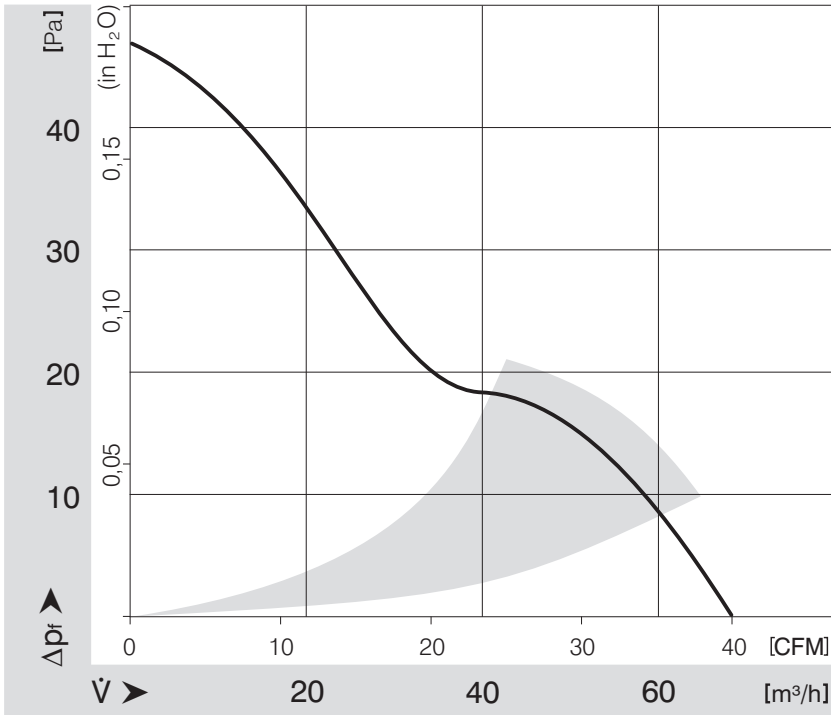
| | |
|--|---|
| Housing material | Fibreglass-reinforced plastic (PBT) |
| Impeller material | Fibreglass-reinforced plastic (PA) |
| Mass | 0.190 kg |
| Dimensions | 92 x 92 x 32 mm |
| Direction of air flow | Air exhaust over bars |
| Direction of rotation | Right, looking at rotor |
| Bearing | Sintec sleeve bearing |
| Lifetime L10 at 40 °C | 70000 h |
| Lifetime L10 at maximum temperature | 30000 h |
| Connection line | Single strands AWG 22, TR 64, bared and tin-plated. |
| Motor protection | Protected against reverse polarity and locking. |
| Locked-rotor protection | Blocking and overload protection |
| Approval | VDE, CSA, UL, CE |



Product drawing



Charts: Air flow



Mouser Electronics

Authorized Distributor

Click to View Pricing, Inventory, Delivery & Lifecycle Information:

[ebm-papst:](#)

[3312GM](#)