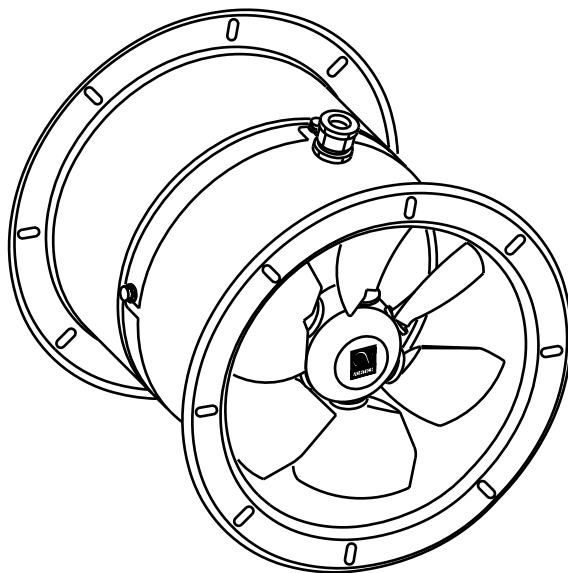


Libretto istruzioni	Uživatelská příručka
Instruction booklet	Návod na používanie
Notice d'emploi et d'entretien	Manual de instruciuni
Betriebsanleitung	Upute za uporabu
Manual de instrucciones	Uporabniški priročnik
Manual de Instruções	Talimat kitarçığı
Instructieboekje	Εγχειρίδιο οδηγιών
Bruksanvisning	Инструкция по эксплуатации
Instrukcja obsługi	كتيب التعليمات
Használati utasítás	说明手册



MPC / MPC-E



**MPC 252 M / 302 M / 354 M / 404 M / 302 T / 354 T / 404 T /
MPC-E 254 M / 302 M / 304 M / 354 M / 404 M / 254 T / 302 T / 304 T / 354 T / 404 T**

COD. 5371.084.903

18/10/2012

VORTICE LIMITED
Beeches House - Eastern Avenue
Burton on Trent
DE13 0BB
Tel. (+44) 1283-492949
Fax (+44) 1283-544121
UNITED KINGDOM

VORTICE FRANCE
72 Rue Baratte-Cholet
94106 Saint Maur Cedex
Tel. (+33) 1-55.12.50.00
Fax (+33) 1-55.12.50.01
FRANCE

VORTICE ELETTROSOCIALI S.p.A.
Strada Cerca, 2 - frazione di Zoate
20067 TRIBIANO (MI)
Tel. (+39) 02-90.69.91
Fax (+39) 02-90.64.625
ITALIA

Prima di usare il prodotto leggere attentamente le istruzioni contenute nel presente libretto. Vortice non potrà essere ritenuta responsabile per eventuali danni a persone o cose causati dal mancato rispetto delle indicazioni di seguito elencate, la cui osservanza assicurerà invece la durata e l'affidabilità, elettrica e meccanica, dell'apparecchio.

Conservare sempre questo libretto istruzioni.

Read the instructions contained in this booklet carefully before using the appliance. Vortice cannot assume any responsibility for damage to property or personal injury resulting from failure to abide by the instructions given in this booklet.

Following these instructions will ensure a long service life and overall electrical and mechanical reliability.

Keep this instruction booklet in a safe place.

Avant d'utiliser le produit, lire attentivement les instructions contenues dans cette notice. La société Vortice ne pourra être tenue pour responsable des dommages éventuels causés aux personnes ou aux choses par suite du non-respect des instructions ci-dessous.

Le respect de toutes les indications reportées dans ce livret garantira une longue durée de vie ainsi que la fiabilité électrique et mécanique de l'appareil.

Conserver toujours ce livret d'instructions.

Vor Installation und Anschluss dieses Produkts müssen die vorliegenden Anleitungen aufmerksam durchgelesen werden. Vortice kann nicht für Personen- oder Sachschäden zur Verantwortung gezogen werden, die auf eine Nichtbeachtung der Hinweise in dieser Betriebsanleitung zurückzuführen sind. Befolgen Sie alle Anweisungen, um eine lange Lebensdauer sowie die elektrische und mechanische Zuverlässigkeit des Geräts zu gewährleisten.

Diese Betriebsanleitung ist gut aufzubewahren.

Antes de utilizar el producto, hay que leer atentamente las instrucciones de este folleto. Vortice no es responsable de los eventuales daños ocasionados a personas o cosas como resultado del incumplimiento de las indicaciones de este manual, las cuales garantizan la durabilidad y fiabilidad eléctrica y mecánica del aparato.

Conservar este manual de instrucciones.

Indice

IT

Descrizione e impiego	6
Sicurezza	6
Applicazioni tipiche	7
Installazione	7
Schemi elettrici	7
Manutenzione / Pulizia	7
Informazione importante per lo smaltimento ambientalmente compatibile	7
Figure	46

Table of Contents

EN

Description and operation	8
Safety	8
Typical applications	9
Installation	9
Electrical Connections	9
Maintenance / Cleaning	9
Important information concerning the environmentally compatible disposal	9
Figures	46

Index

FR

Description et mode d'employ	10
Sécurité	10
Applications typiques	11
Installation	11
Branchements électrique	11
Entretien / Nettoyage	11
Information importante pour l'élimination compatible avec l'environnement	11
Figures	46

Inhaltsverzeichnis

DE

Beschreibung und Gebrauch	12
Sicherheit	12
Typische Anwendungen	13
Einstellung	13
Elektrischen Anschluss	13
Wartung / Reinigung	13
Wichtige information für die umweltgerechte Entsorgung	13
Abbildungen	46

Índice

ES

Descripción y uso	14
Seguridad	14
Aplicaciones típicas	15
Instalación	15
Esquemas de conexión eléctrica	15
Mantenimiento / Limpieza	15
Información importante sobre eliminación respetuosa con el medio ambiente	15
Figuras	46

Description and operation

The appliance you have purchased is a medium-pressure industrial axial fan for extraction into a ventilation duct or direct air expulsion outdoors. These appliances can be applied to ventilation ducts or through air cleaning filters, and are suitable for all installations in which loss of pressure occurs. The extracted air must not be dusty, acidic or corrosive.

Safety



Warning:
this symbol indicates that care must be taken to avoid injury to the user

- Do not use this appliance for functions other than those described in this booklet
 - After removing the appliance from its packaging, ensure that it is complete and undamaged. If in doubt contact a professionally qualified electrician or Vortice. Do not leave packaging within the reach of children or infirm persons
 - Certain fundamental rules must be observed when using any electrical appliance, including:
 - never touch electrical appliances with wet or damp hands;
 - never touch appliances while barefoot;
 - never allow children or infirm persons to operate appliances unattended.
 - This appliance is not suitable for use by children or by individuals with reduced physical, sensorial or mental capacities, or by inexperienced or untrained individuals, unless they are supervised or instructed in its use by a person responsible for their safety. Children must always be supervised to ensure that they do not play with the appliance.
 - Store the appliance out of the reach of children and differently able persons after deciding to disconnect it from the power supply and use it no more.
 - Do not use the appliance where flammable vapours are present (spirit, insecticides, petrol, etc.) .
- Caution:**
this symbol indicates that care must be taken to avoid damaging the appliance
- This appliance must only be installed and serviced, externally or internally, by professionally qualified personnel.
 - Switch off the system's main switch:
 - a) if the appliance does not function correctly;
 - b) before cleaning the inside and outside of the appliance;
 - c) if you decide not to use the appliance for any length of time.
 - The electrical system to which the appliance is connected must conform to applicable standards.
 - The circuit in which the appliance is installed must have an overload protection device calibrated to suit the nominal current shown on the appliance's data plate.
 - This appliance must be connected to an efficient earthing system in compliance with applicable safety standards. If in doubt, ask a qualified electrician to check your system.
 - The electrical power supply/socket to which the appliance is to be connected must be able to provide the maximum electrical power required by the appliance. If not, contact a professional electrician without delay.
 - When installing the appliance, fit a multi-pole thermomagnetic cutout, with a contact gap of at least 3 mm.
 - If the appliance is installed outdoors, ensure that adequate weather protection is provided.
 - Operating temperature from -25°C to +70°C (MPC-E 404 M: 50°C).
 - Do not cover the appliance's intake and outlet grilles.
 - Only use the specified accessories on the intake and outlet grilles.
 - Ensure that the room has an adequate source of fresh air.
 - Avoid letting dust build up on top of the motor, as this could result in cooling problems. Regular maintenance will result in improved operation and guarantee normal appliance performance. For the maintenance of mechanical parts, follow the instructions in the figures on page 50.
 - The appliance cannot be used to control water heater switches, heaters, etc.; neither must its exhaust lead into the hot air ducts of such appliances.
 - Specifications for the power supply must correspond to the electrical data on data plate A (fig.1).
 - Data plate B (fig.1) is also present in MPC models only: data specified in EU regulation no. 327/2011

- Do not make modifications of any kind to this appliance.
- Regularly inspect the appliance for visible defects. If any faults are found, do not operate the appliance; contact an authorised Vortice technical service centre immediately.
- If the appliance does not function correctly or develops a fault, contact an authorised Vortice Technical Service Centre immediately. Ensure that only genuine original Vortice spares are used for any repairs.
- Should the appliance be dropped or suffer a heavy blow, have it checked immediately by an authorised Vortice Technical Service Centre.

Typical application

Fig. 2÷5;

N.B.

If the appliance is installed at a height of less than 2.5 metres from the floor, it is obligatory to install protection for moving parts, in the form of a safety grille. (fig. 3).

Installation

Fig. 6÷20;

Electrical Connections

Single-phase electrical connection (fig.14)
Three-phase electrical connection (fig.15)

Maintenance / Cleaning

Fig. 21÷24.

Important information concerning the environmentally compatible disposal

IN CERTAIN EUROPEAN UNION COUNTRIES THIS PRODUCT DOES NOT FALL WITHIN THE REQUIREMENTS OF THE NATIONAL LAWS IMPLEMENTING DIRECTIVE WEEE, AND IN THESE COUNTRIES THE PRODUCT IS NOT SUBJECT TO SEPARATE DISPOSAL OPERATIONS AT THE END OF ITS WORKING LIFE.

This product conforms to EU Directive 2002/96/EC.

This appliance bears the symbol of the barred waste bin. This indicates that, at the end of its useful life, it must not be disposed of as domestic waste, but must be taken to a collection centre for waste electrical and electronic equipment, or returned to a retailer on purchase of a replacement.



It is the user's responsibility to dispose of this appliance through the appropriate channels at the end of its useful life. Failure to do so may incur the penalties established by laws governing waste disposal.

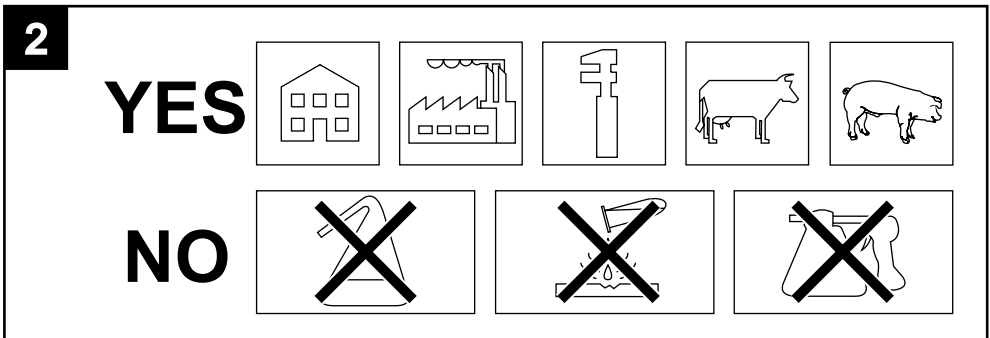
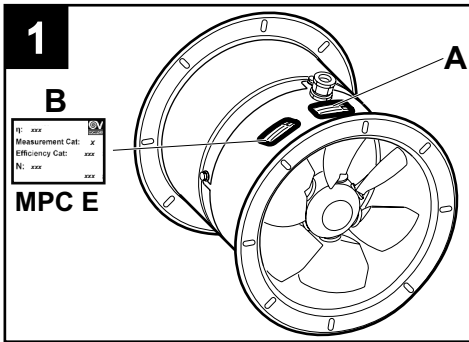
Proper differential collection, and the subsequent recycling, processing and environmentally compatible disposal of waste equipment avoids unnecessary damage to the environment and possible related health risks, and also promotes recycling of the materials used in the appliance.

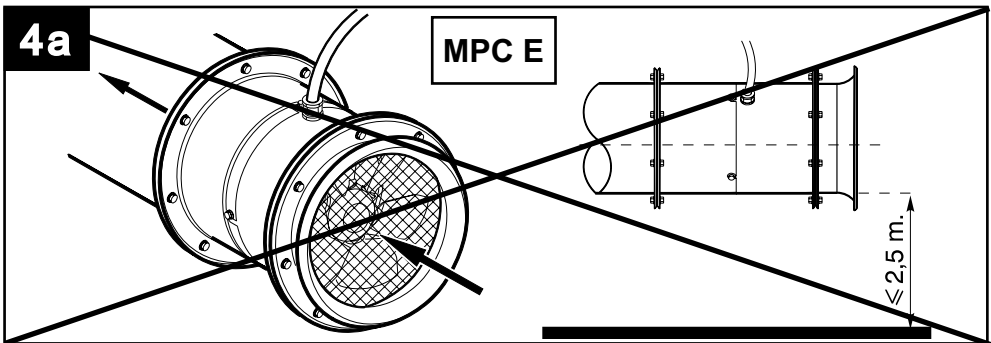
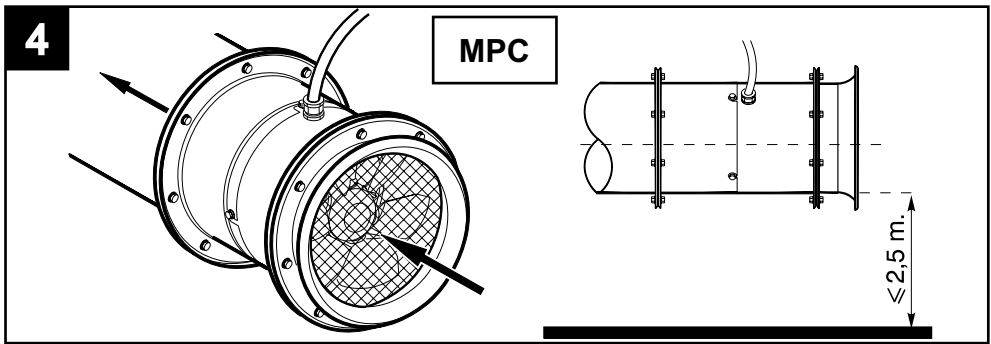
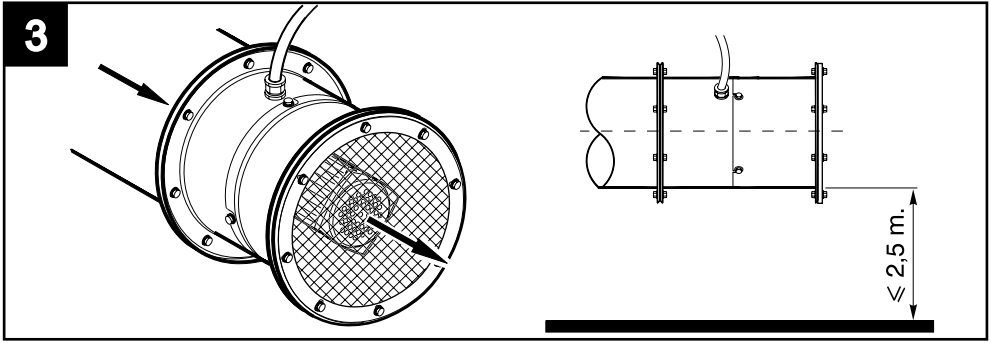
For further information on waste collection and disposal, contact your local waste disposal service, or the shop from which you purchased the appliance.

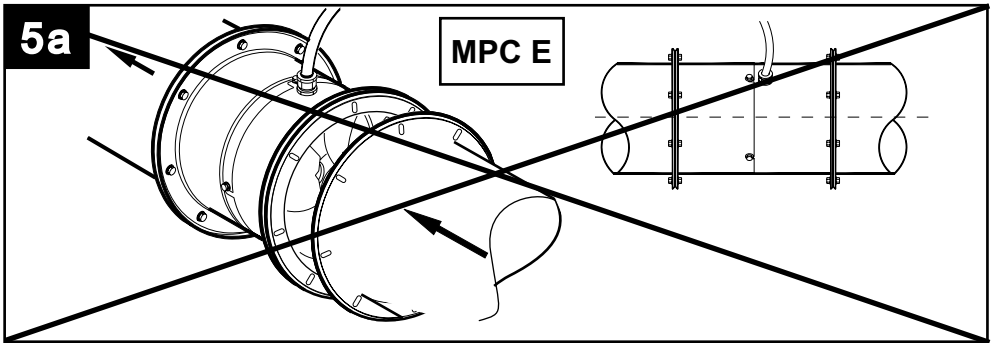
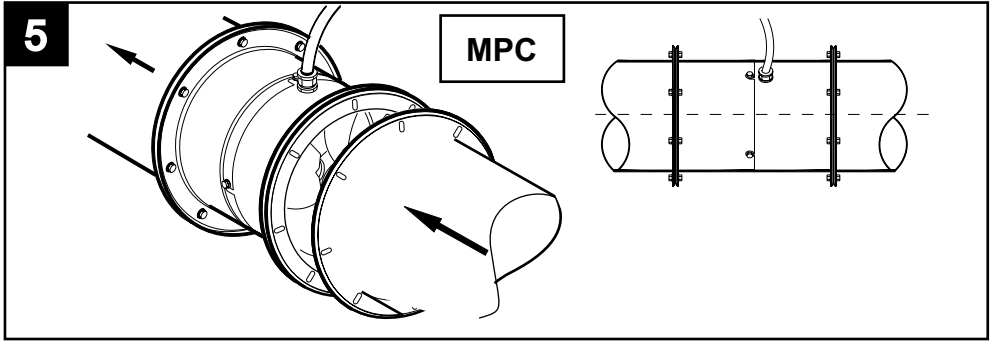
Manufacturers and importers fulfil their responsibilities for recycling, processing and environmentally compatible disposal either directly or by participating in collective systems.

FIGURE
FIGURES
FIGURES
ABBILDUNGEN
FIGURAS
FIGURAS
FIGUREN
FIGURER
RYSUNKI
ÁBRA

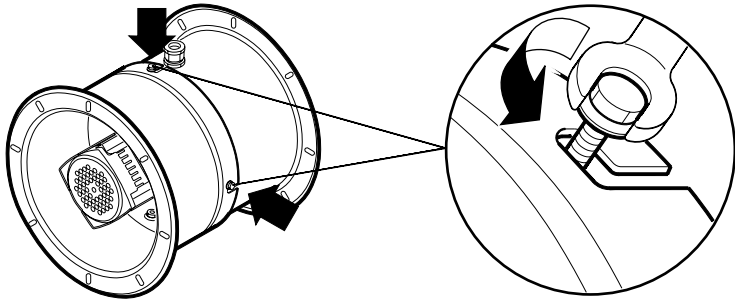
OBRÁZKY
FIGURE
FIGURI
SLIKE
SLIKE
ŞEKİL
EIKONES
Иллюстрации
رسوم



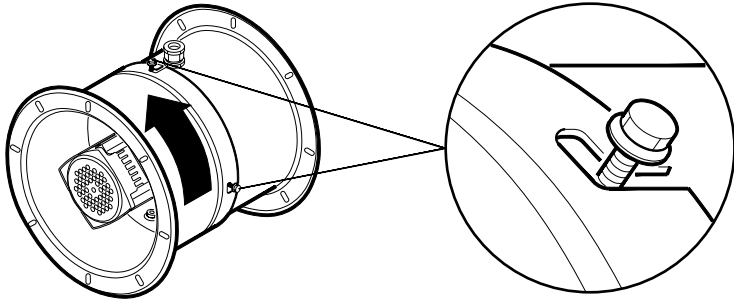




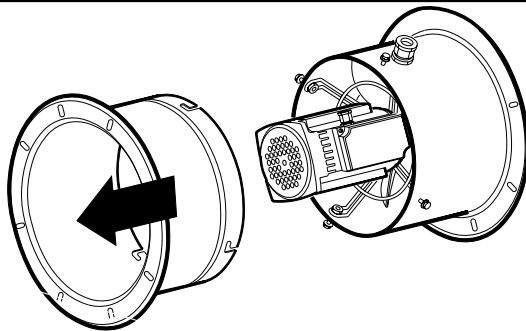
6



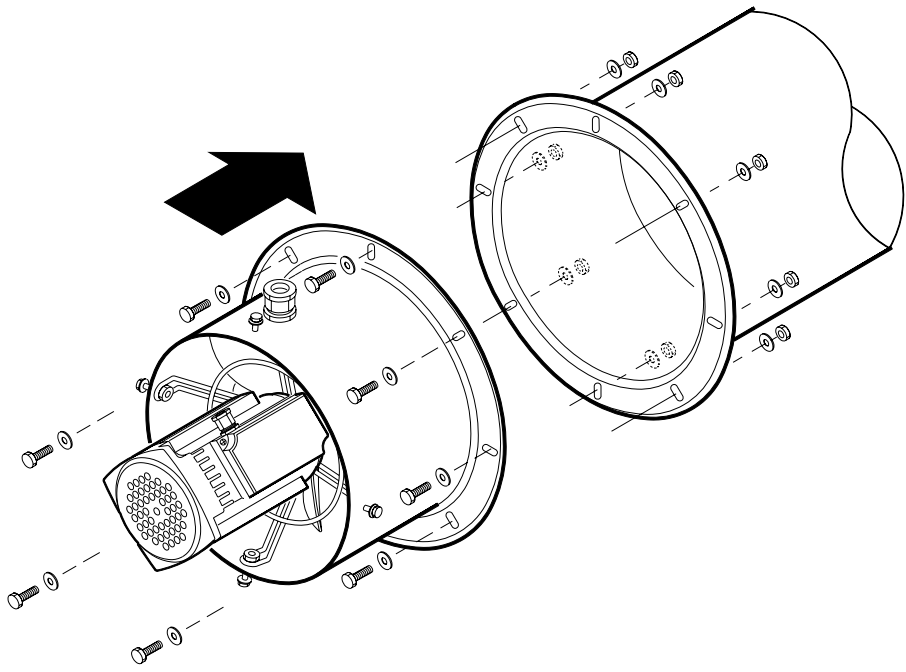
7



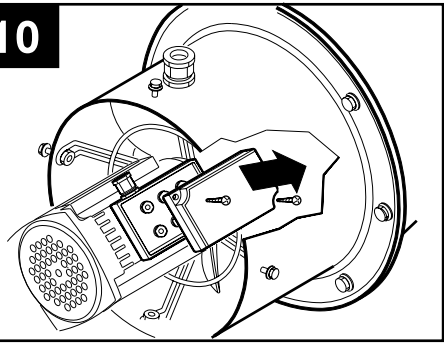
8

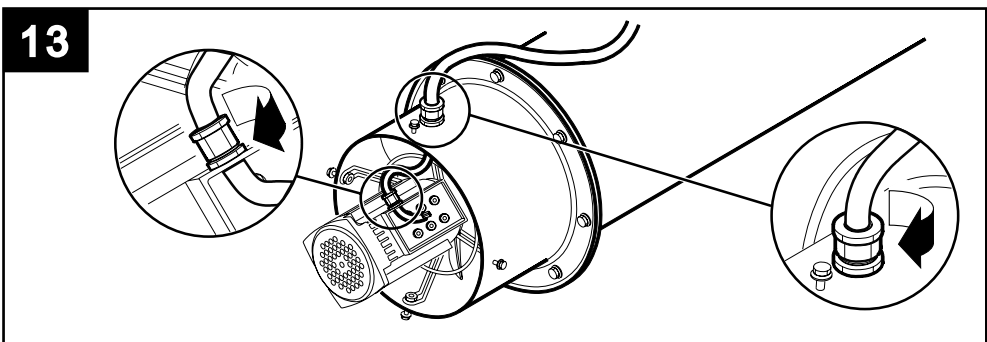
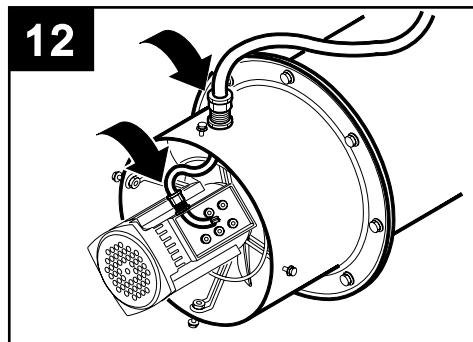
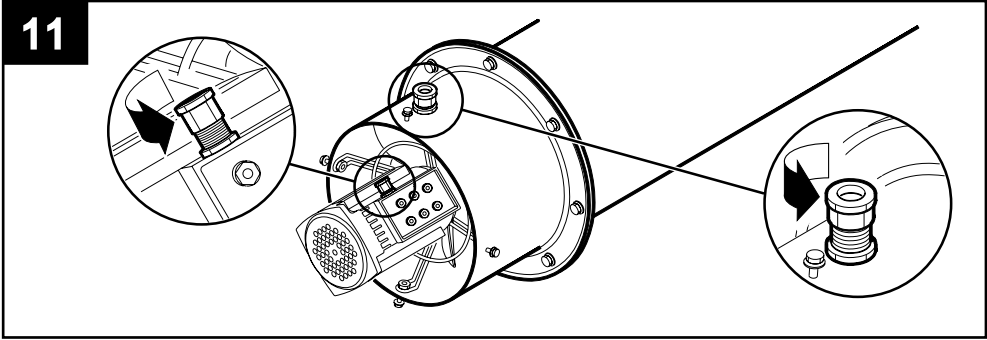


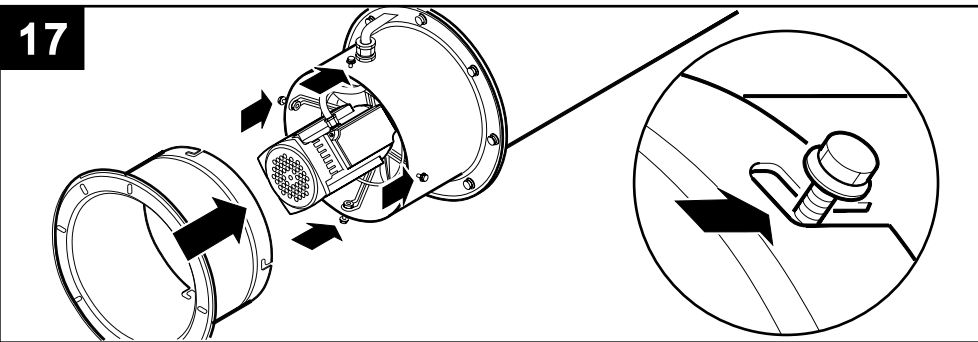
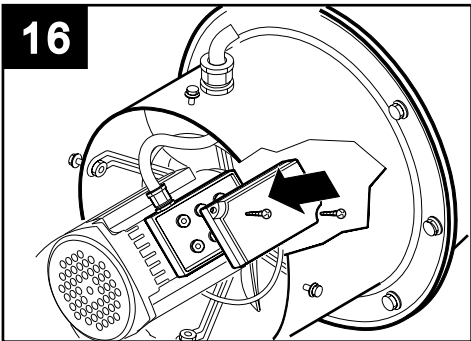
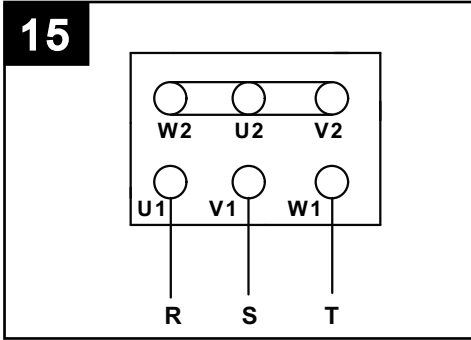
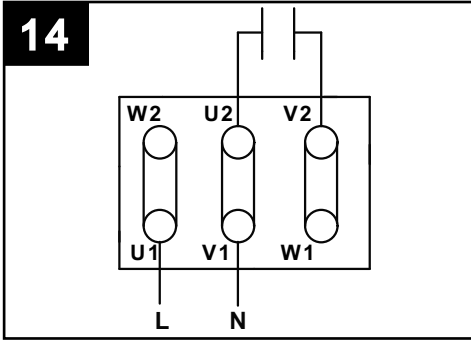
9

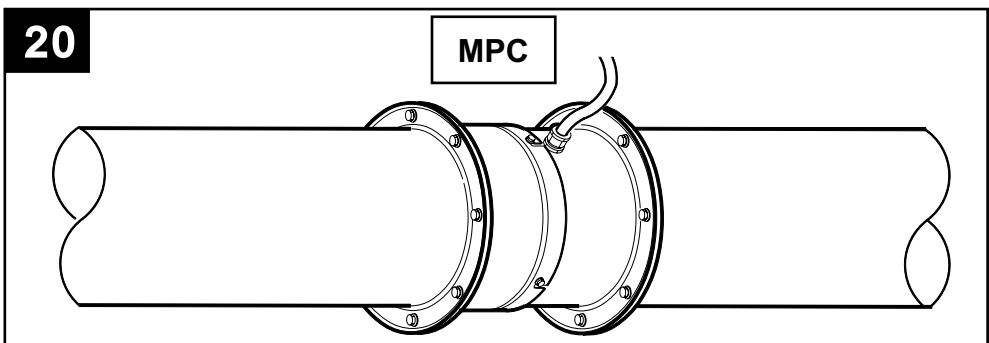
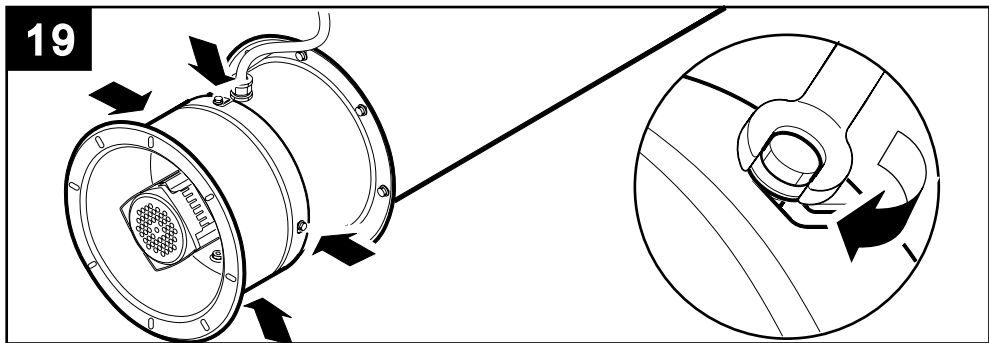
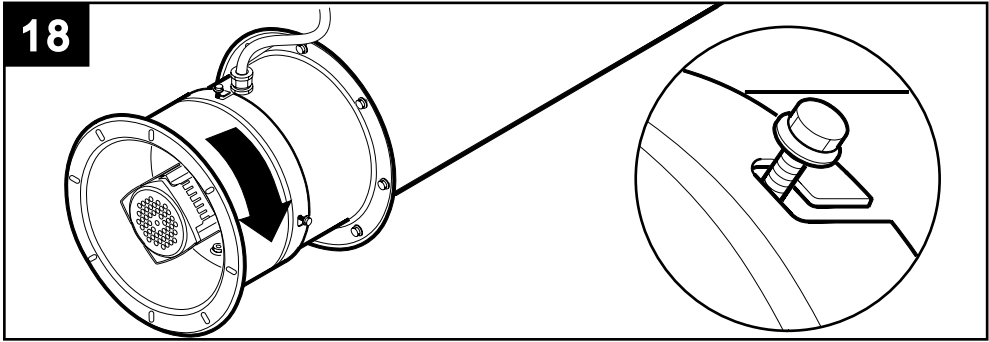


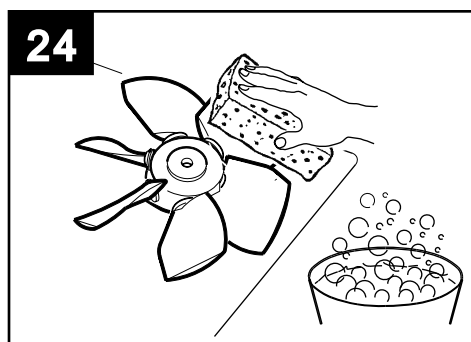
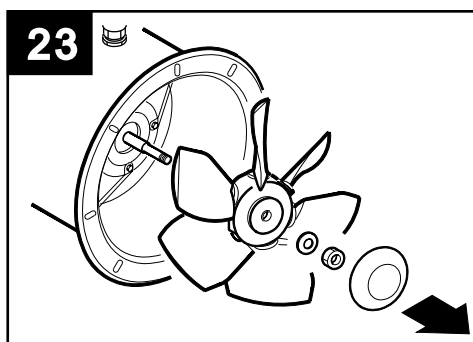
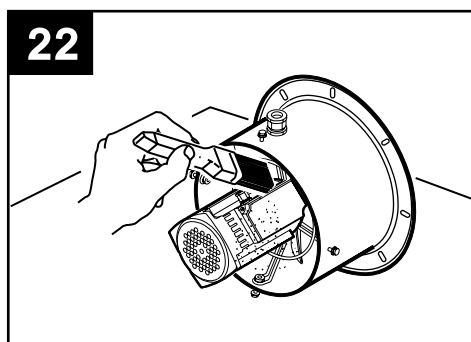
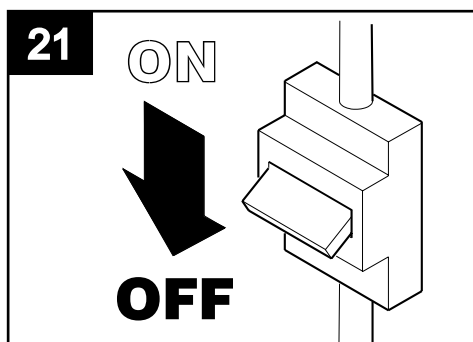
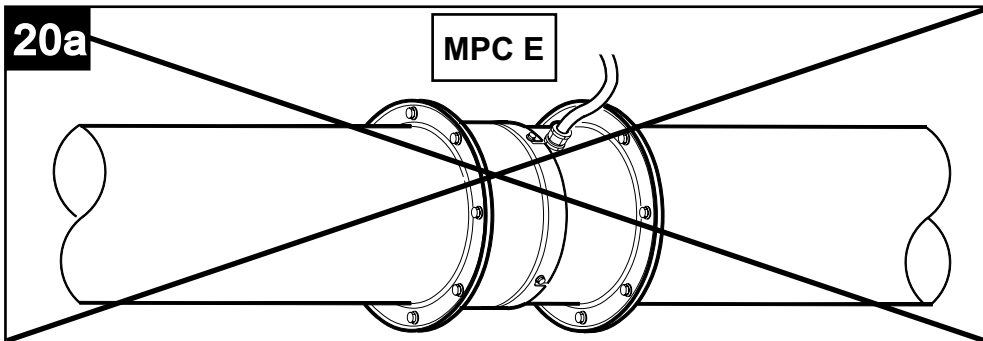
10













La Vortice S.p.A. si riserva il diritto di apportare tutte le varianti migliorative ai prodotti in corso di vendita.
Vortice S.p.A. reserves the right to make improvements to products at any time and without prior notice.
La société Vortice S.p.A. se réserve le droit d'apporter toutes les variations afin d'améliorer ses produits en cours de commercialisation.
Die Firma Vortice S.p.A. behält sich vor, alle eventuellen Verbesserungsänderungen an den Produkten des Verkaufsangebots vorzunehmen.
Vortice se reserva el derecho de incorporar todas las mejoras necesarias a los productos en fase de venta.
A Vortice S.p.A. reserva-se o direito de efectuar melhorias nos produtos comercializados.
Vortice S.p.A. behoudt zich het recht voor elke gewenste verbetering aan te brengen in het reeds op de markt gebrachte product.
Vortice S.p.A. förbehåller sig rätten att under försäljning tillföra alla ändringar som förbättrar produkterna.
Firma Vortice zastrzega sobie prawo wprowadzania wszelkiego rodzaju ulepszeń do urządzeń znajdujących się w sprzedaży.
A Vortice S.p.A. fenntartja a jogot, hogy az értékesítés alatt álló termékeknél bármilyen javító változtatást bevezessen.
Podnik Vortice S.p.A. si vyhradzuje právo na zlepšování svých výrobků v průběhu prodeje.
Spol. Vortice S.p.A. si vyhradzuje právo zaviest počas doby predaja všetky úpravy na výrobku, ktoré zvyšujú jeho kvalitu.
Firma Vortice S.p.A. își rezervă dreptul de a aduce îmbunătățiri produselor în vânzare.
Tvrška "Vortice S.p.A." zadržava pravo unošenja promjena u svrhu poboljšanja proizvoda u prodaji.
Družba Vortice S.p.A. si pridržuje pravico do vseh potrebnih izboljšav na prodajanih izdelkih.
Vortice S.p.A. satilmakta olan ürünlerin üzerinde iyileştirici değişiklikler yapma hakkını saklı tutar.
H Vortice S.p.A. διατηρεί το δικαίωμα να πραγματοποιεί βελτιωτικές τροποποιήσεις στα προϊόντα της που βρίσκονται στην αγορά.
Firma Vortice S.p.A. оставляет за собой право вносить все возможные улучшения в конструкцию находящихся в данный момент в продаже изделий.
تحتفظ مؤسسة **Vortice S.p.A.** بحق إجراء كافة التعديلات التحسينية على منتجاتها المطروحة في الأسواق.
Vortice股份有限公司 保留在产品销售期间进行产品改良的权利。