

# NORDIK® HEAVY DUTY RANGE

Reversible heavy duty ceiling fans



NORDIK HEAVY DUTY

- NORDIK HEAVY DUTY 120 code 61020
- NORDIK HEAVY DUTY 140 code 61021
- NORDIK HEAVY DUTY 160 code 61022
- NORDIK HEAVY DUTY 200 code 61023



NORDIK HEAVY DUTY INOX

- NORDIK HEAVY DUTY 120 INOX code 61024
- NORDIK HEAVY DUTY 140 INOX code 61025
- NORDIK HEAVY DUTY 160 INOX code 61026
- NORDIK HEAVY DUTY 200 INOX code 61027



## KEY FEATURES

- ◆ NORDIK HEAVY DUTY are reversible ceiling fans specifically designed for continuous operation, even at maximum speed whose main features can be summarized as follows.
- High continuous operating temperature (up to 50 °C at maximum speed) facilitating use even in particularly severe environmental conditions, typical of some industrial processes.
- High resistance against dust and water (IP55) allowing, together with full compliance with Machinery Directive, use in industrial premises.
- Impedence protected, class H, external rotor motor, equipped with impregnated stator windings and high silicon grade magnetic sheets melted in a high purity (99,9%) AC pack.
- Die-casted epoxy painted, AC motor covers, scaled with a EPDM gasket to prevent dust or water entry.
- High corrosion resistance allowing use in environments with high concentrations of corrosive agents (process industries, agricultural farms, greenhouses..)
- Particularly suitable for use in food or pharmaceutical sector (stainless steel models)
- Capability to operate as heat recovery units, especially when coupled with Vort Delta T° Vortice's speed controller (available as optional ancillary), allowing automatic speed adjustment of up to 16 ceiling fans according to different temperatures between floor and ceiling.

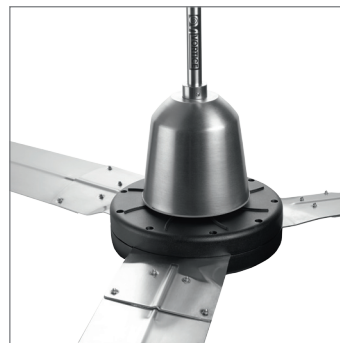




- 4 hole support plate compatible with different types of ceilings, even highly slanted.
- Lifeline in accordance with the latest international standards
- Shock absorber consisting of a rubber made elastic element with an inner steel made rope



*Blades, cups and rods made of electrogalvanized steel plate protected by a double layer of epoxy paint (Nordik HD models)*



*Blades, cups and rods made of AISI 304 stainless steel (Nordik Heavy Duty Inox models)*





## TECHNICAL DATA

Models	V	Hz	W	A	RPM	Nr. Blades	Max Airflow m <sup>3</sup> /h	Kg	Insulation Class
NORDIK HD 120	220 - 240	50	80	0.35	233	3	14050	7.3	I
NORDIK HD 140					236		7.7		
NORDIK HD 160			85	0.37	210		19300	82	
NORDIK HD 200					186		22050	9.1	

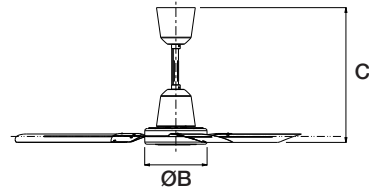
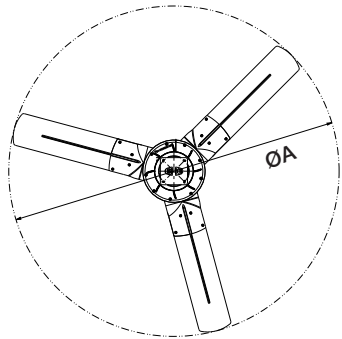
Airflow rates measured according to CEI 107/35.76.

## NORDIK® HEAVY DUTY RANGE | TECHNICAL DATA ACCORDING TO 206/2012 EU REGULATION

Code	Reference parameter	Unit of measurement	HD 120	HD 140	HD 160	HD 200
			61020 61024	61021 61025	61022 61026	61023 61027
Maximum airflow	F	m <sup>3</sup> /min	234.00	266.60	321.60	367.50
Power consumption of the fan	P	W	80	80	85	85
Operating values	SV	(m <sup>3</sup> /min)W	2.925	3.332	3.780	4.320
Sound power level	LWA	dB(A)	51.8	55.4	55.6	56.4
Air speed	C	m/sec	1.54	1.35	1.20	1.46
Measurement standards for operating	IEC 60879; EN62301: UNI EN ISO 3741					

For more information contact: Vortice Elettrosociali Spa, Strada Cerca, 2 - 20067 Zoate di Tribiano (MI) Italy

## DIMENSIONS



	ØA	ØB	C
HD 120	1218	230	495
HD 140	1422		
HD 160	1524		
HD 200	2000		

Dimensions (mm)





